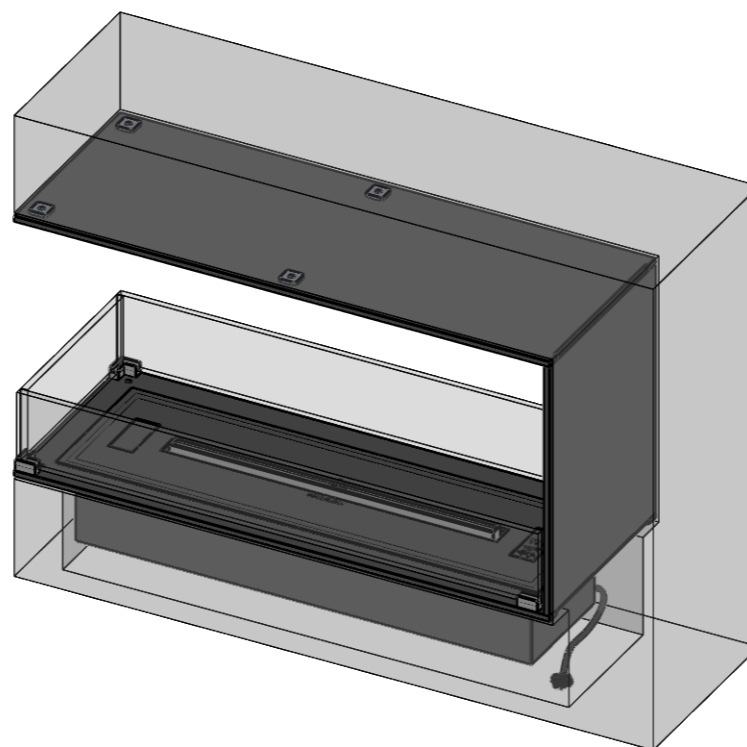



decoflame® Montreal e-Ribbon Basic 720 FT500 Open to front, back and left
800x400x300mm, Black

with remote control, Bluetooth / App og six flame levels incl. ECO

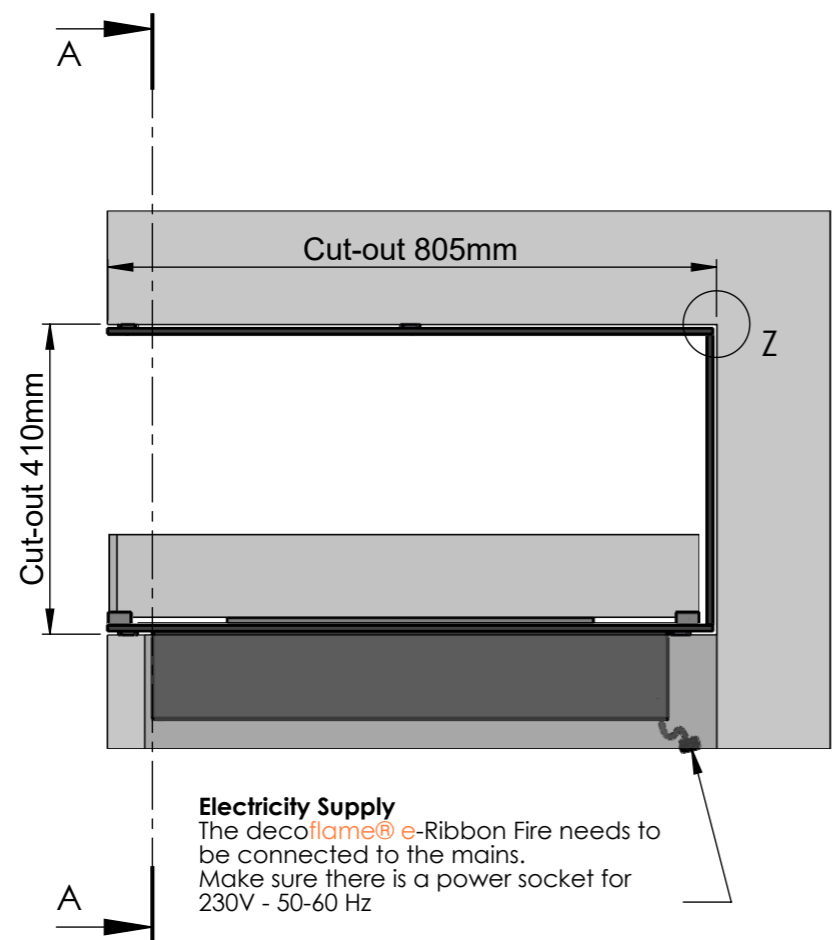
3x 110mm high glass

Wall cut-out "805x410x300mm"

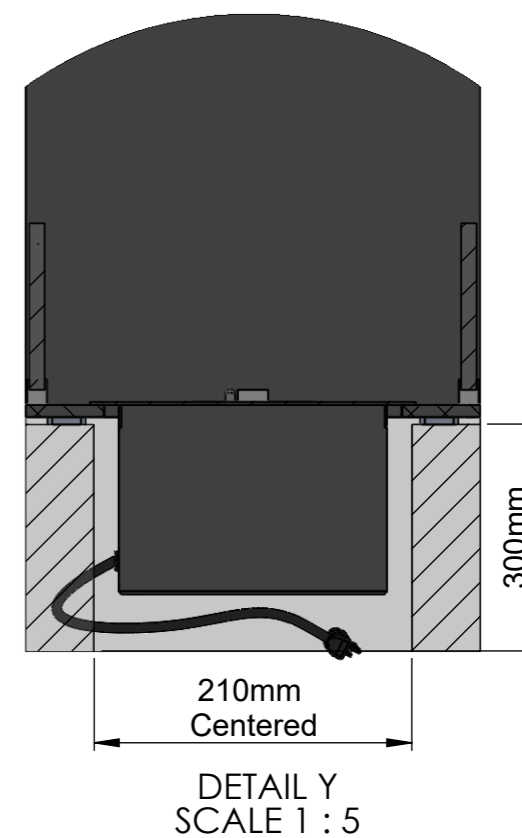
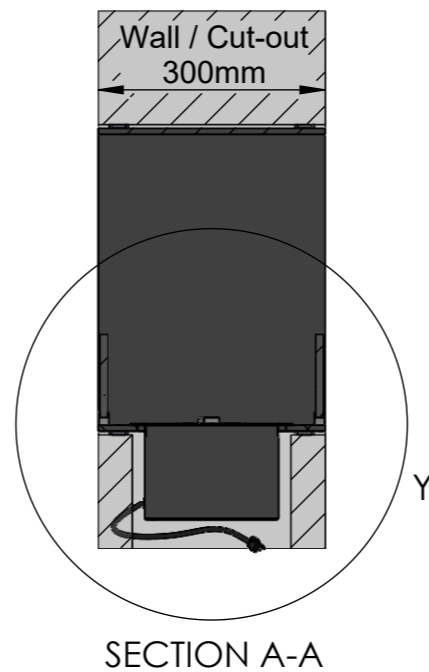


Dimensions are in millimeters		 DecoFlame ApS Vang Mark 2 9380 Vestbjerg TLF: +45 96 30 48 00 www.decoflame.com	SCALE: 1:10
REVISION: -	Date 26-02-2020		FORMAT: A3
Author: TTK		Order Number - Customer - Reference: PRINCIPLE Montreal Front Back Left - conv. 800x400x300mm - 1x DB720 - 3x low glass	
<small>Copyright of DecoFlame ApS Denmark, whose property this document remains. No part thereof may be disclosed, copied, duplicated or in any other way made use of, except with the approval of DecoFlame ApS.</small>		Customer Approval Signature - Date	

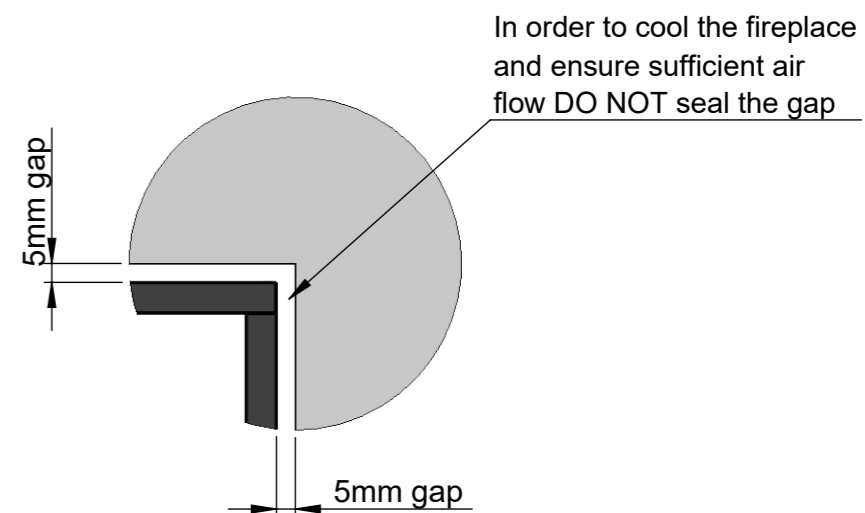
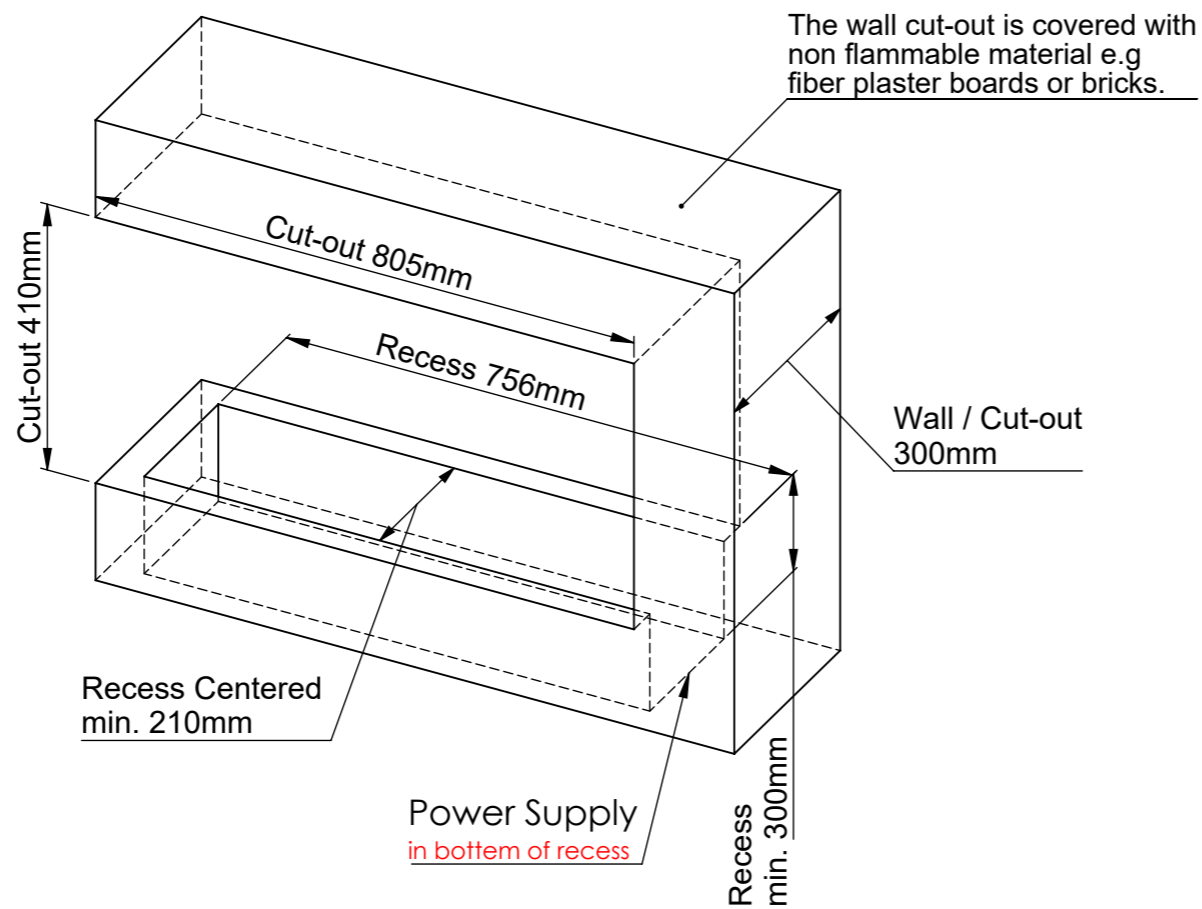
Montreal - Open to front, back and left




Electricity Supply
 The decoflame® e-Ribbon Fire needs to be connected to the mains.
 Make sure there is a power socket for 230V - 50-60 Hz

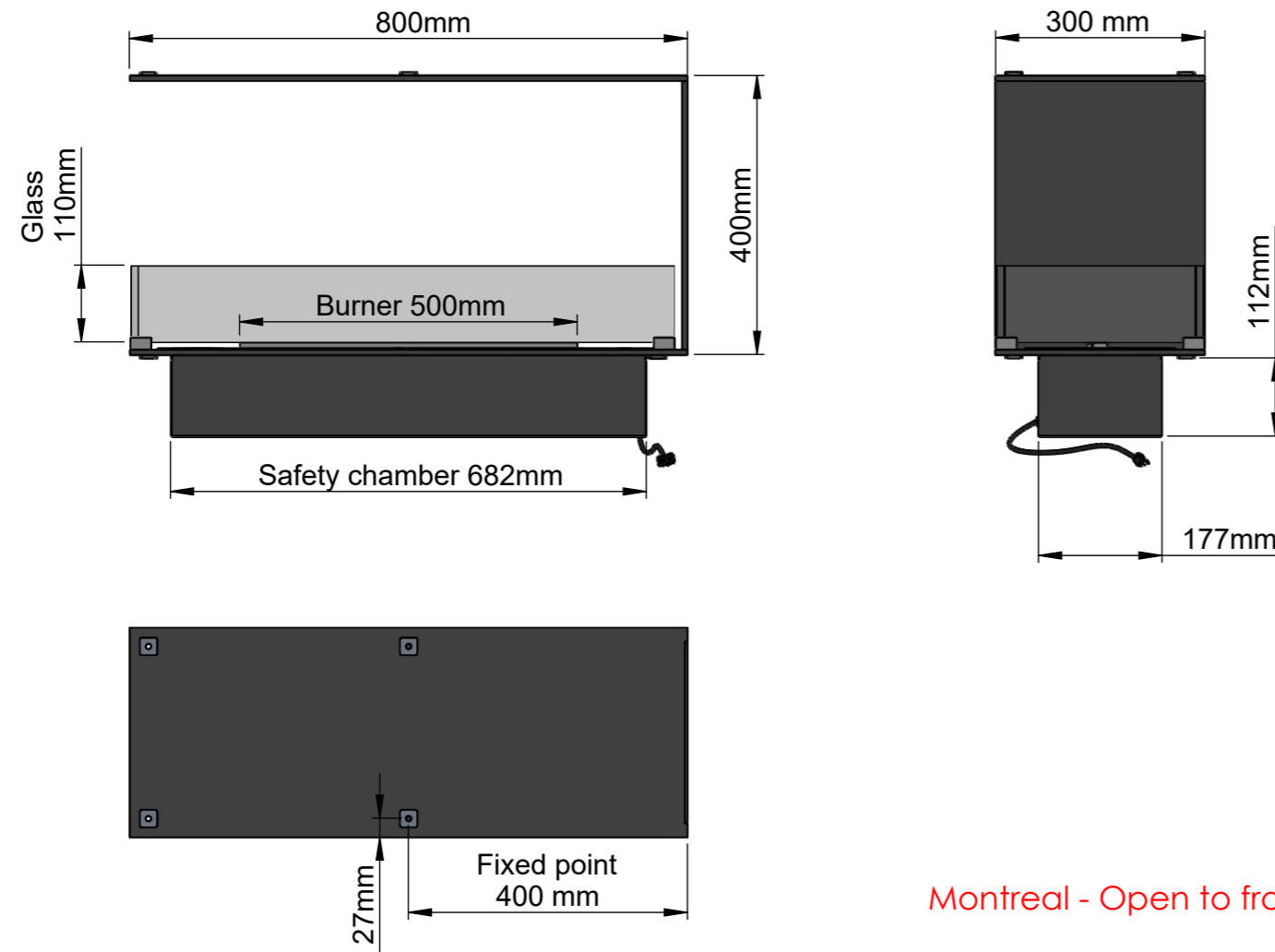


Wall dimensions



DETAIL Z
 SCALE 1 : 2

Dimensions are in millimeters		 DecoFlame ApS Vang Mark 2 9380 Vestbjerg TLF: +45 96 30 48 00 www.decoflame.com	SCALE: 1:10
REVISION: -	Date: 26-02-2020		FORMAT: A3
Author: TTK		Order Number - Customer - Reference:	
Copyright of DecoFlame ApS Denmark, whose property this document remains. No part thereof may be disclosed, copied, duplicated or in any other way made use of, except with the approval of DecoFlame ApS.		PRINCIPLE Montreal Front Back Left - conv. 800x400x300mm - 1x DB720 - 3x low glass	
		Customer Approval Signature - Date	



Montreal - Open to front, back and left

General Installation Guidelines for "decoflame® made to measure fireplaces", open to three sides:

It is essential to maintain a 5mm gap all the way around the fireplace (Cut-out = Fireplace Dimensions + 10mm) This gap must not be sealed.

As the edges of the cut-out remain visible it is important that they are done to the highest possible finish. All four corners of the cut out must have exactly a 90 degree angle.

Plasterboard walls - Stud-walls

All surfaces inside the wall cut-out are to be covered with fibre plaster sheets or other non-inflammable materials.

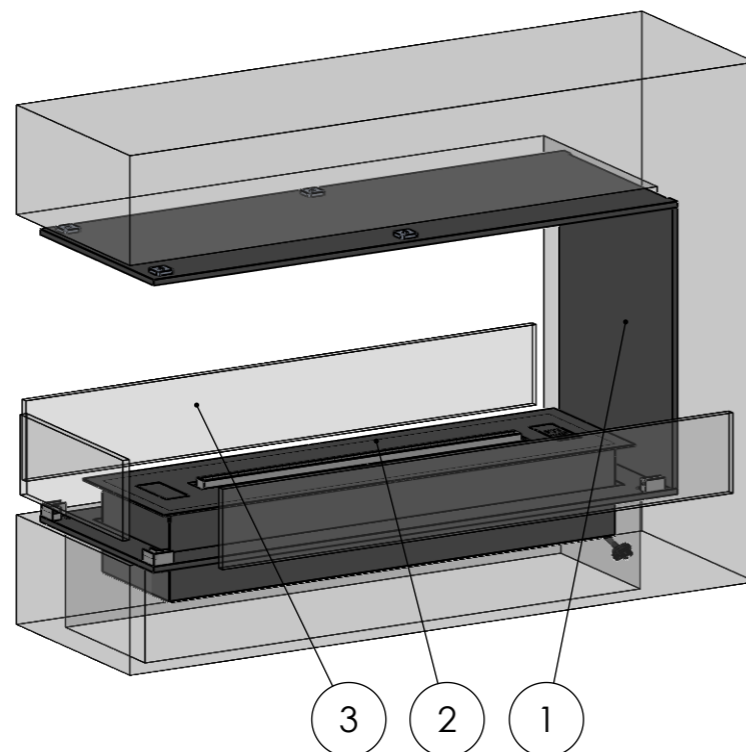
Stone/Brick walls

The cut-out is made according to the attached drawing.

Important

Make sure to create a closed cavity for the section below the base plate of the fire and above the roof of the fireplace.

Wall dimensions




Exploded view showing the installation process.

1. The chassis of the fireplace (top/side/bottom) is centered in the wall cut-out. The whole construction is then fixed with the included screws through the fixing holes.

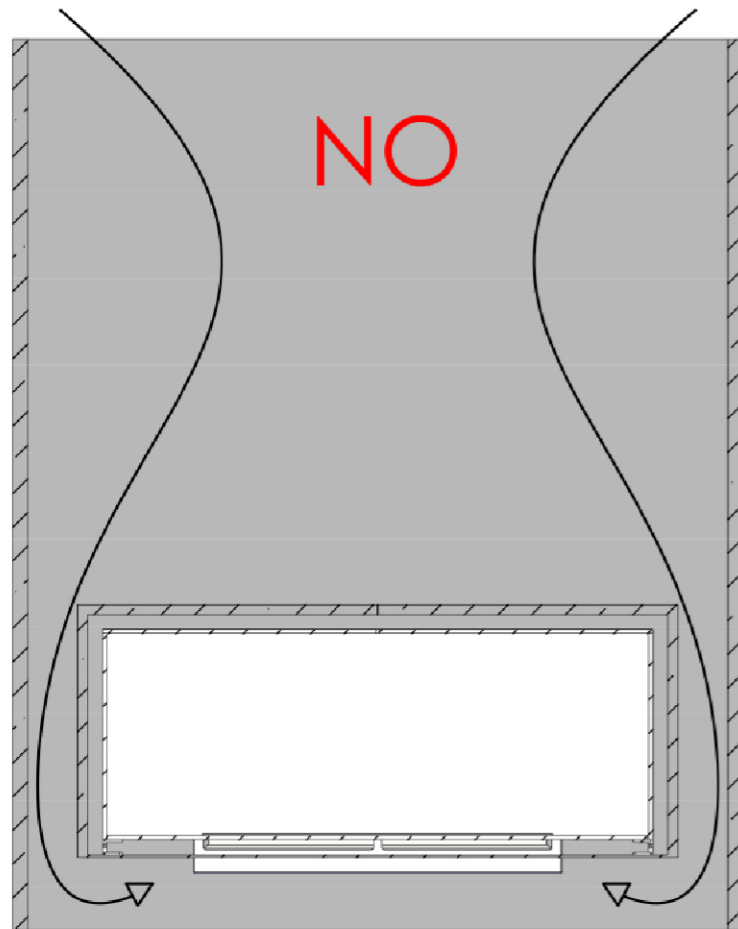
If necessary, use plugs suited for the construction material (upper joints in construction of wall cut-out and supports).

2. Plug the fireplace into the powersocket before lowering the burner in place.
Make sure there is a power socket for 230V - 50-60 Hz installed inside
3. Gently place the glass on the base plate pins.

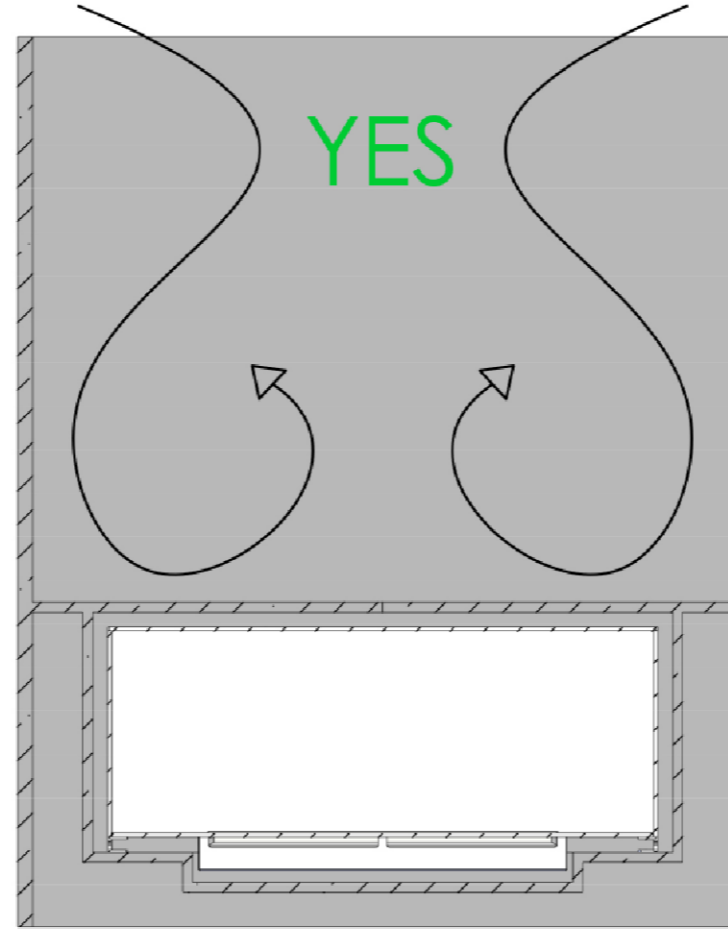
REVISION: -		Date: 26-02-2020	 DecoFlame ApS Vang Mark 2 9380 Vestbjerg TLF: +45 96 30 48 00 www.decoflame.com	SCALE: 1:10
Author: TTK		Order Number - Customer - Reference:		FORMAT: A3
Copyright of DecoFlame ApS Denmark, whose property this document remains. No part thereof may be disclosed, copied, duplicated or in any other way made use of, except with the approval of DecoFlame ApS.		PRINCIPLE Montreal Front Back Left - conv. 800x400x300mm - 1x DB720 - 3x low glass		Page 3 OF 4
		Customer Approval Signature - Date		

IMPORTANT INFORMATION

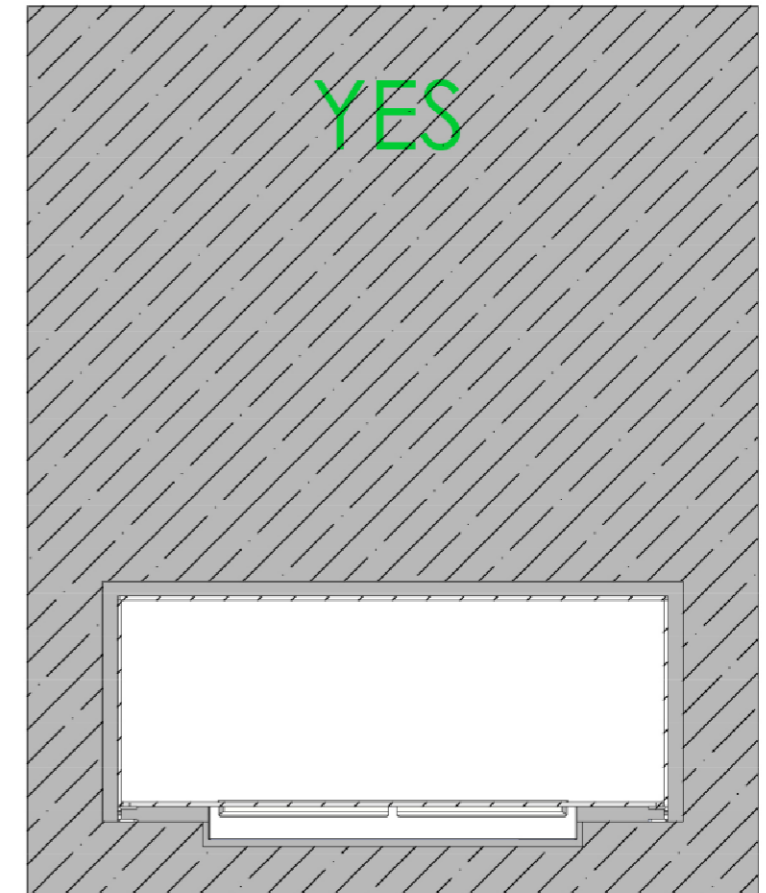
Particulars of the wall in which the fireplace shall be installed




DO NOT! install the fireplace in a wall construction which is open above and below the fireplace. The warm air will cause turbulences inside this hollow construction which will have a negative impact on the flames.



DO! install the fireplace in an open-wall construction, which is closed above and below the fireplace. Make sure to create a closed cavity for the section below the base plate of the fire.



DO! install the fireplace in a massive wall (made of bricks, stone or gas beton) using the wall cut-out dimensions mentioned on the previous page.

Dimensions are in millimeters		 DecoFlame ApS Vang Mark 2 9380 Vestbjerg TLF: +45 96 30 48 00 www.decoflame.com	SCALE: 1:10
REVISION: -	Date 26-02-2020		FORMAT: A3
Author: TTK		Order Number - Customer - Reference: PRINCIPLE Montreal Front Back Left - conv. 800x400x300mm - 1x DB720 - 3x low glass	Page 4 OF 4
Copyright of DecoFlame ApS Denmark, whose property this document remains. No part thereof may be disclosed, copied, duplicated or in any other way made use of, except with the approval of DecoFlame ApS.		Customer Approval Signature - Date	