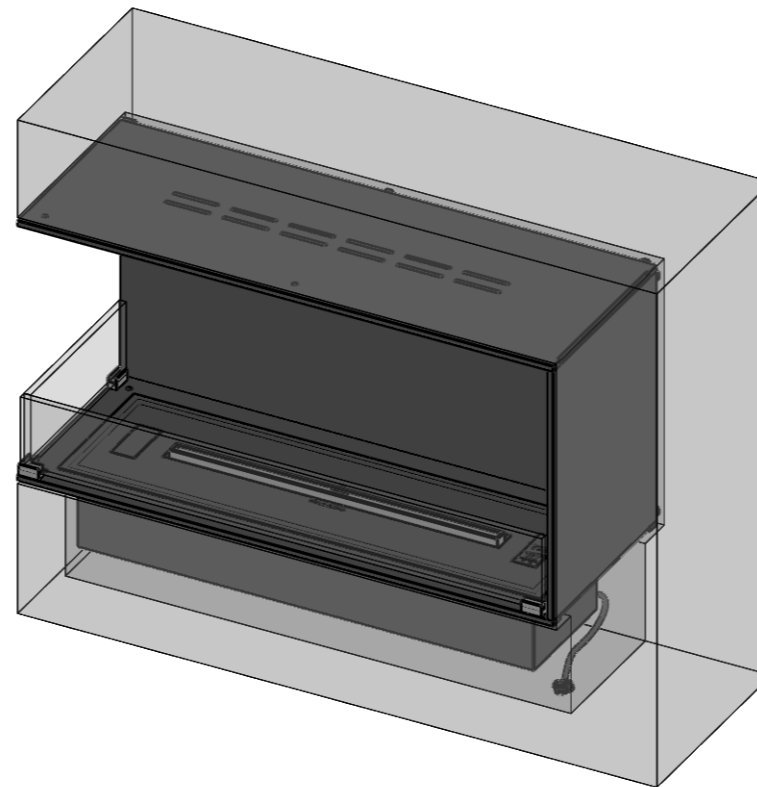



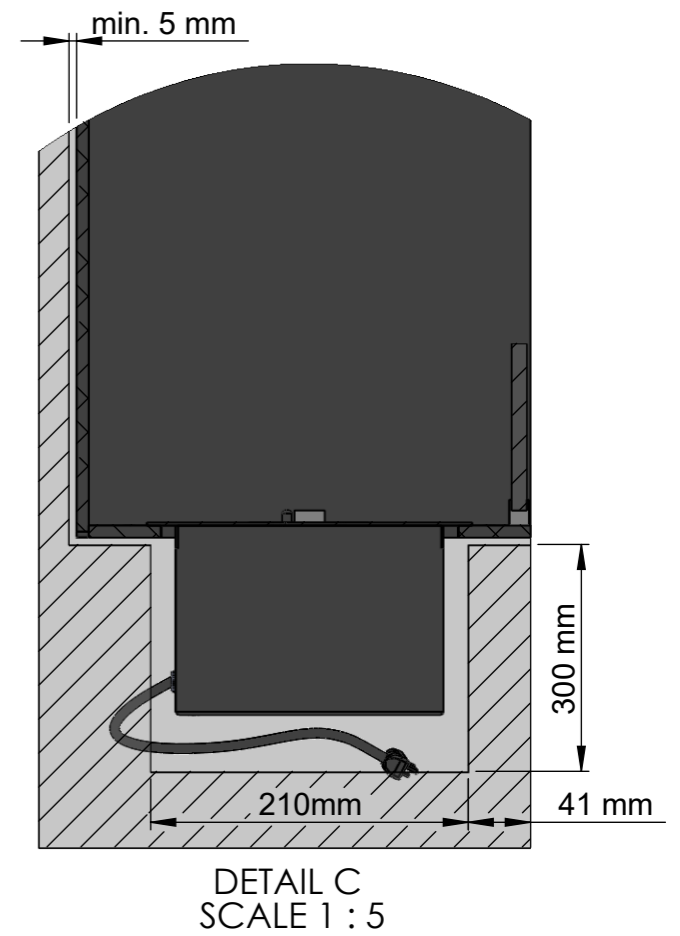
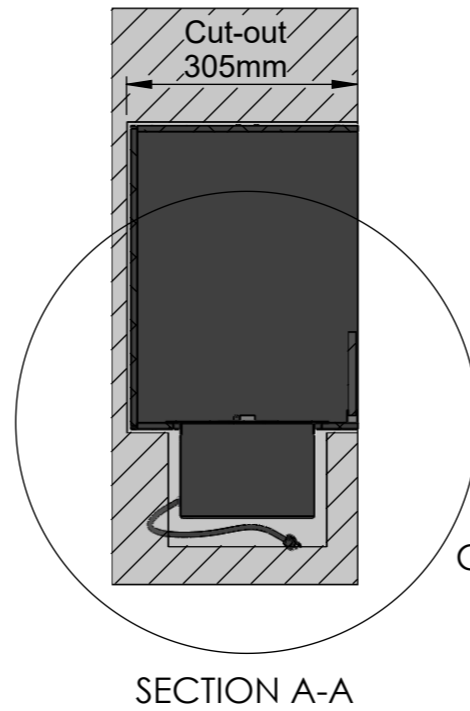
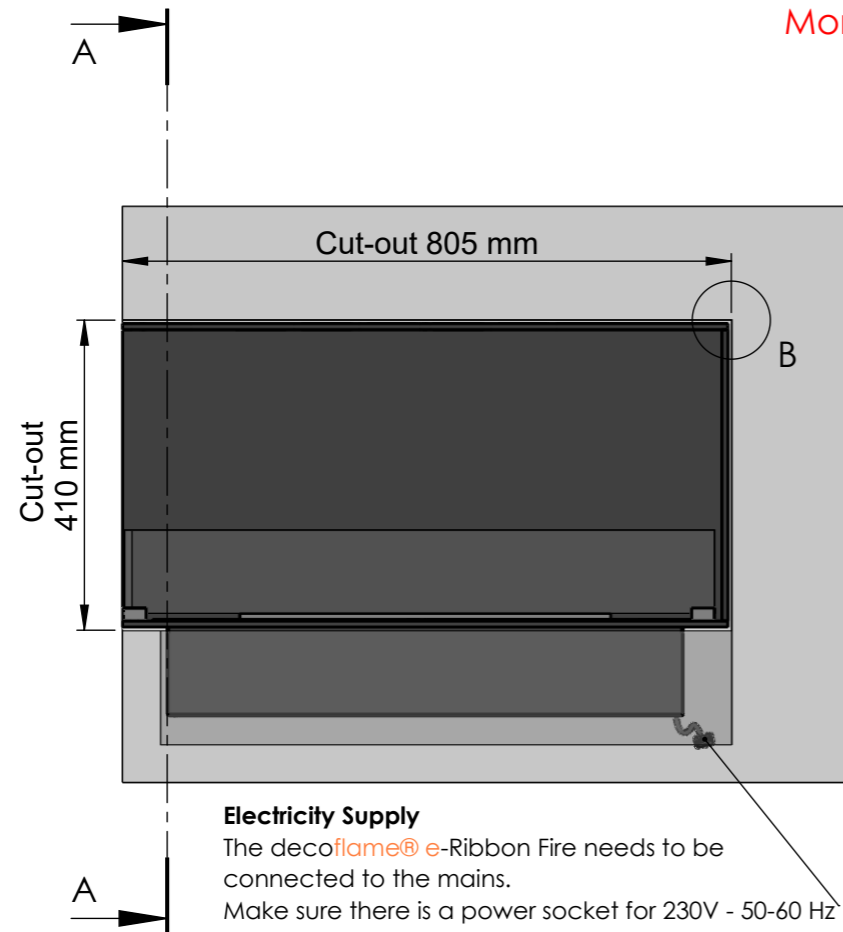
decoflame® Montreal e-Ribbon Basic 720 FT500 Open to front and left  
**800x400x300mm, Black**

with remote control, control panel, bluetooth / App and six step flame levels incl. ECO  
 2x 110mm high glass screen  
 Wall cut-out "805x410x305mm"

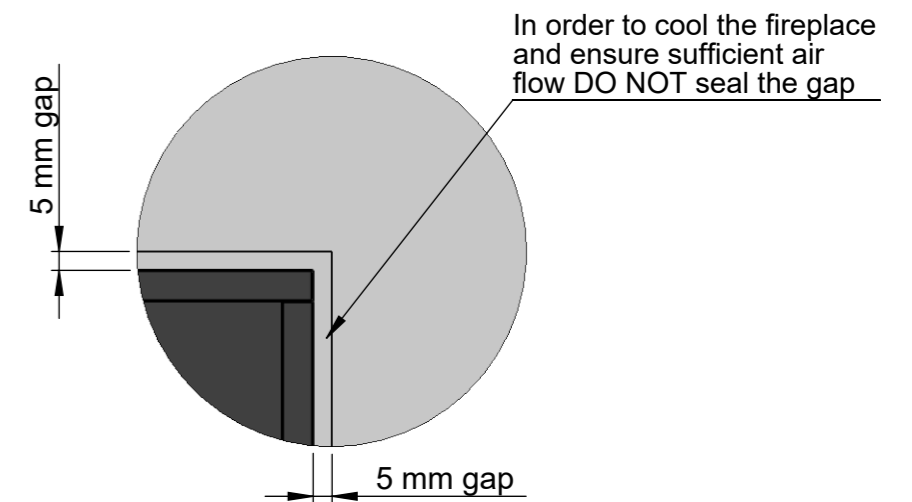
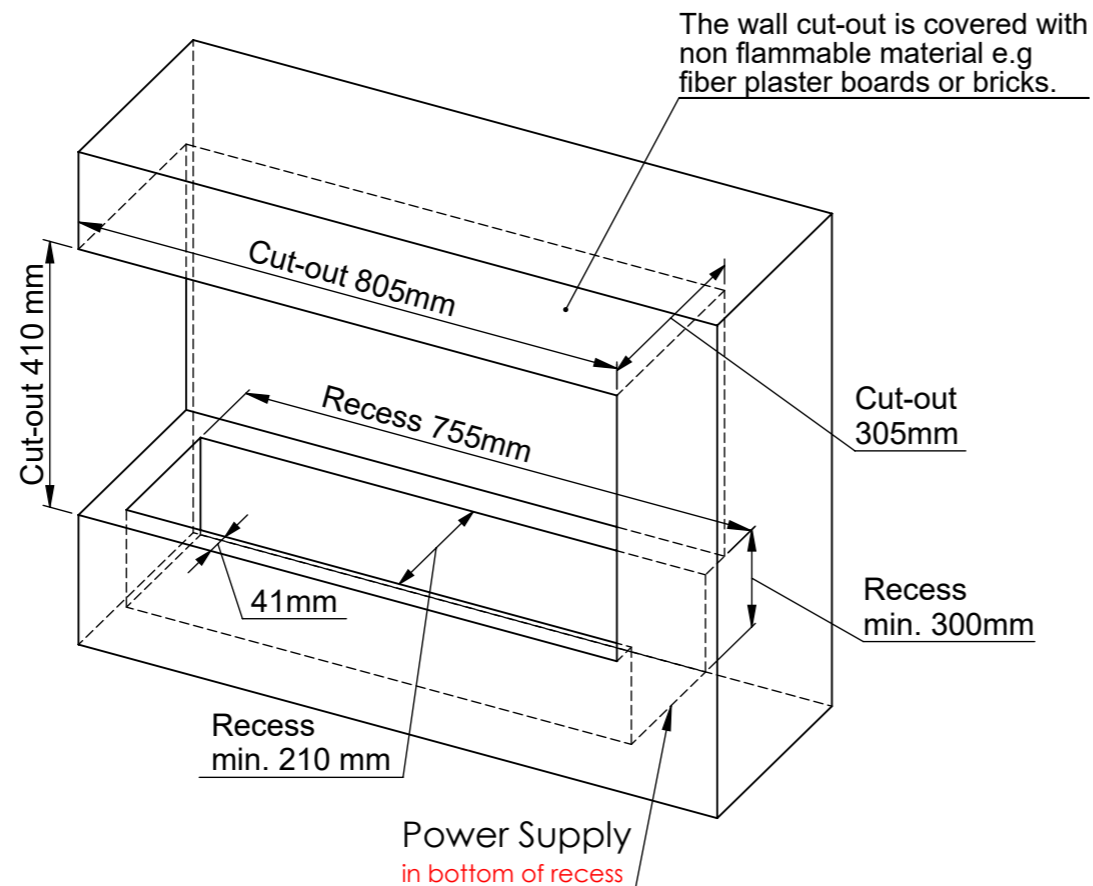



<b>Dimensions are in millimeters</b>		 DecoFlame ApS Vang Mark 2 9380 Vestbjerg TLF: +45 96 30 48 00 www.decoflame.com	<b>SCALE: 1:10</b>
REVISION: -	Date 26-02-2020		FORMAT: A3
Author: TTK		Order Number - Customer - Reference: PRINCIPLE Montreal Front and Left - conv. 800x400x300mm - 1x DB720 - 2x glass	Page 1 OF 4
Copyright of DecoFlame ApS Denmark, whose property this document remains. No part thereof may be disclosed, copied, duplicated or in any other way made use of, except with the approval of DecoFlame ApS.			Customer Approval Signature - Date

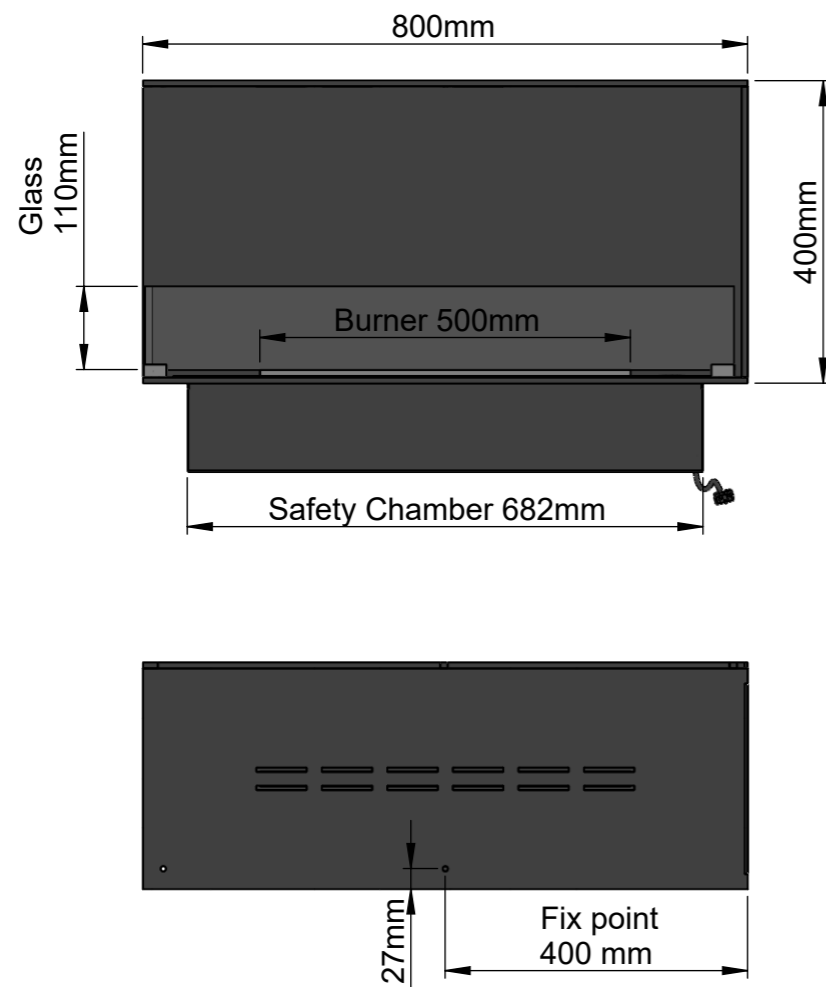
Montreal - Open to front and left



Wall dimensions



REVISION: -		Date: 26-02-2020	 DecoFlame ApS Vang Mark 2 9380 Vestbjerg TLF: +45 96 30 48 00 www.decoflame.com	SCALE: 1:10
Author: TTK		Order Number - Customer - Reference:		FORMAT: A3
Copyright of DecoFlame ApS Denmark, whose property this document remains. No part thereof may be disclosed, copied, duplicated or in any other way made use of, except with the approval of DecoFlame ApS.		PRINCIPLE Montreal Front and Left - conv. 800x400x300mm - 1x DB720 - 2x glass		Page 2 OF 4
		Customer Approval Signature - Date		



Montreal - Open to front and left

### General Installation Guidelines for "decoflame® made to measure fireplaces":

The wall cut-out is made at least 20mm deeper than the depth of the fireplace to ensure sufficient air flow and cooling of the fireplace. Furthermore, it is essential to maintain a 5mm gap all the way around the fireplace (Cut-out = Fireplace Dimensions + 10mm) This gap must not be sealed.

As the edges of the cut-out remain visible it is important that they are done to the highest possible finish. All four corners of the cut out must have exactly a 90 degree angle.

#### Plasterboard walls - Stud-walls

All surfaces inside the wall cut-out are to be covered with fibre plaster sheets or other non-inflammable materials.

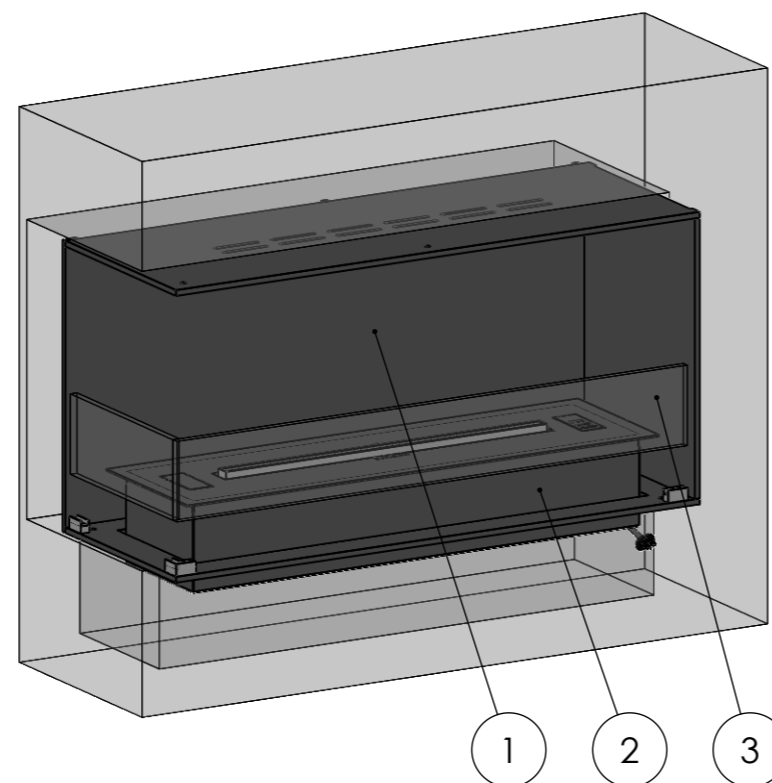
#### Stone/Brick walls

The cut-out is made according to the attached drawing.

#### Important


Make sure to create a closed cavity for the section below the base plate of the fire and above the roof of the fireplace.

### Installation process



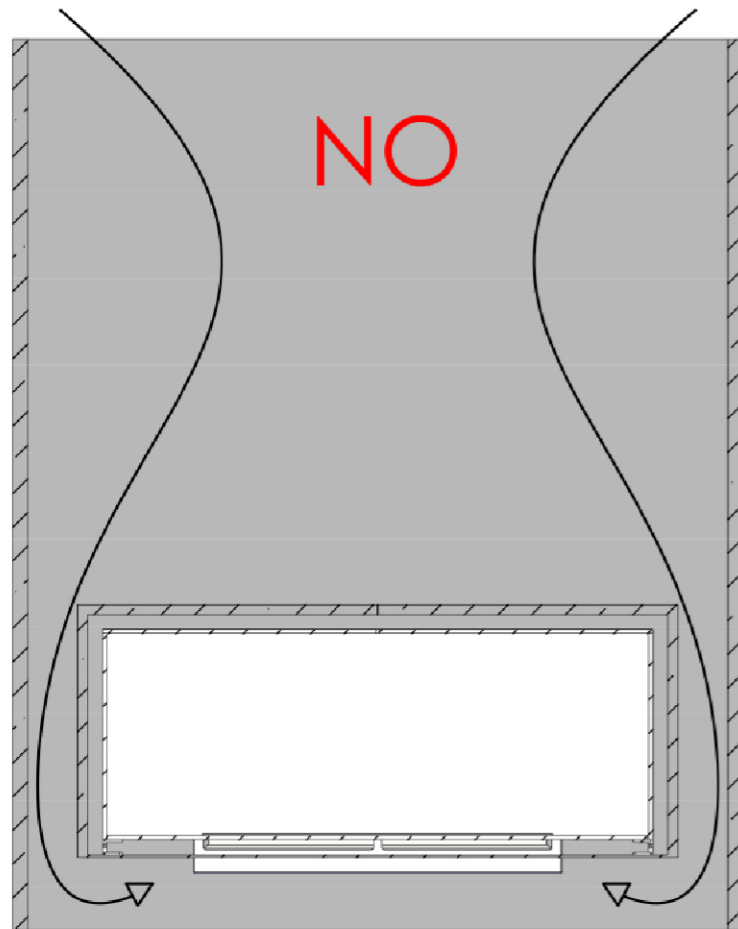
#### Exploded view showing the installation process.

1. The chassis of the fireplace (top/sides/bottom) is centered in the wall cut-out. Use suited wall plugs depending on the type of wall.
2. The fireplace is plugged in the power outlet and lowered into the recess.
3. Gently place the glass on the base plate pins.

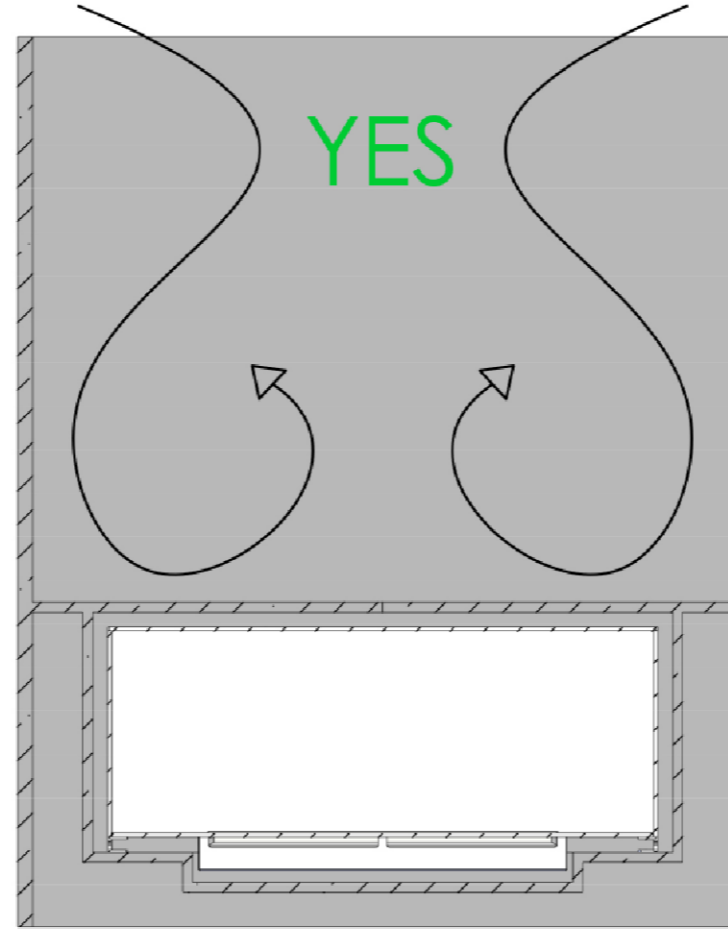
<b>Dimensions are in millimeters</b>		 DecoFlame ApS Vang Mark 2 9380 Vestbjerg TLF: +45 96 30 48 00 www.decoflame.com	<b>SCALE: 1:10</b>
REVISION: -	Date: 26-02-2020		FORMAT: A3
Author: TTK		Order Number - Customer - Reference: PRINCIPLE Montreal Front and Left - conv. 800x400x300mm - 1x DB720 - 2x glass	
Copyright of DecoFlame ApS Denmark, whose property this document remains. No part thereof may be disclosed, copied, duplicated or in any other way made use of, except with the approval of DecoFlame ApS.		Customer Approval Signature - Date	

# IMPORTANT INFORMATION

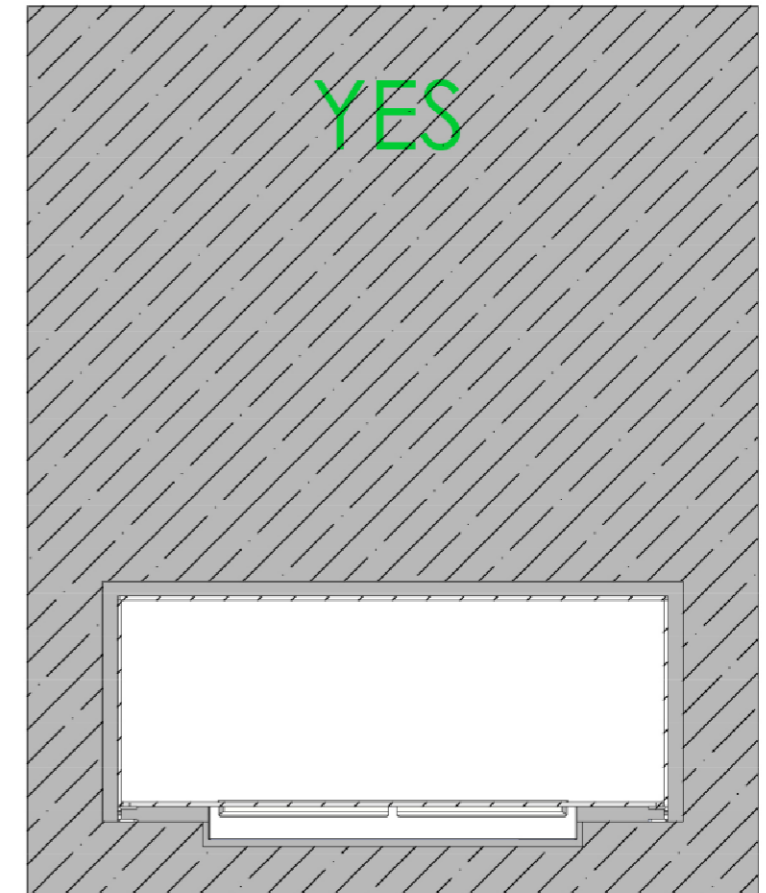
Particulars of the wall in which the fireplace shall be installed



**DO NOT!** install the fireplace in a wall construction which is open above and below the fireplace. The warm air will cause turbulences inside this hollow construction which will have a negative impact on the flames.



**DO!** install the fireplace in an open-wall construction, which is closed above and below the fireplace. Make sure to create a closed cavity for the section below the base plate of the fire.



**DO!** install the fireplace in a massive wall (made of bricks, stone or gas beton) using the wall cut-out dimensions mentioned on the previous page.

<b>Dimensions are in millimeters</b>		 DecoFlame ApS Vang Mark 2 9380 Vestbjerg TLF: +45 96 30 48 00 www.decoflame.com	<b>SCALE: 1:10</b>
REVISION: -	Date 26-02-2020		FORMAT: A3
Author: TTK		Order Number - Customer - Reference: PRINCIPLE Montreal Front and Left - conv. 800x400x300mm - 1x DB720 - 2x glass	Page 4 OF 4
Copyright of DecoFlame ApS Denmark, whose property this document remains. No part thereof may be disclosed, copied, duplicated or in any other way made use of, except with the approval of DecoFlame ApS.		Customer Approval Signature - Date	