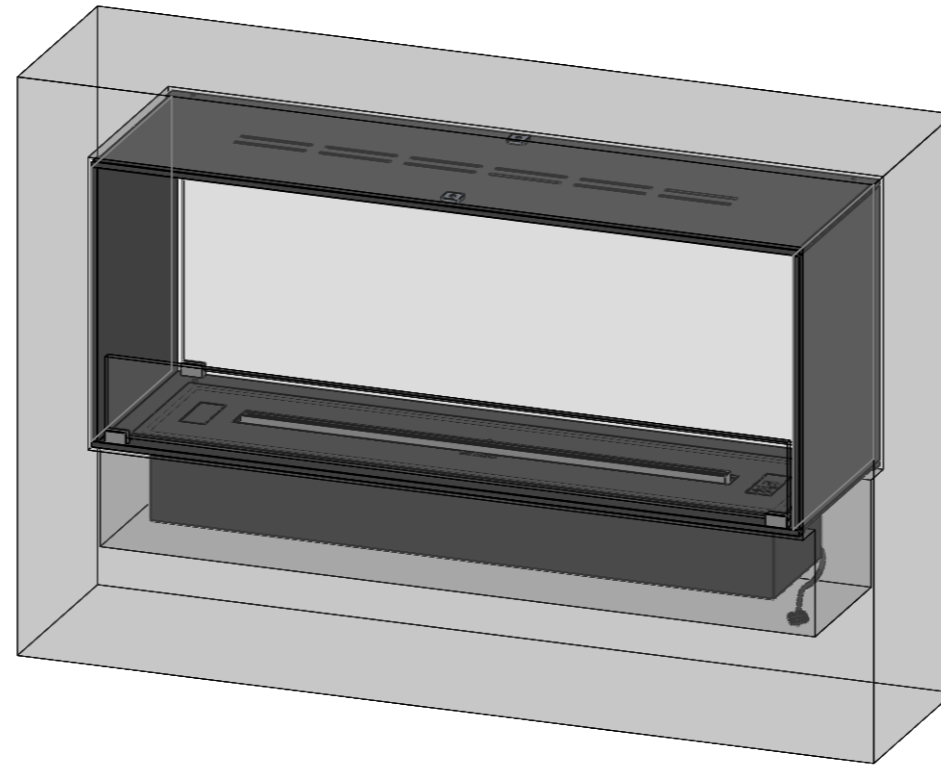



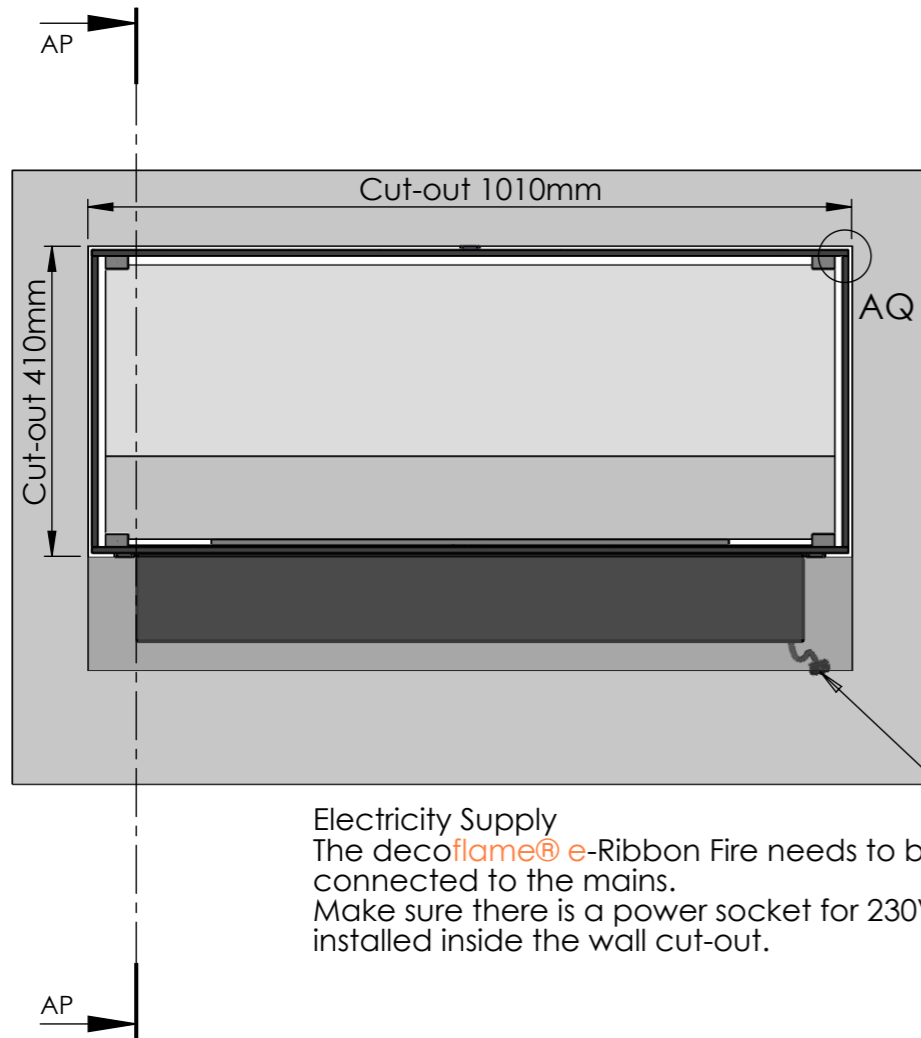
decoflame® Montreal e-Ribbon Basic 920 FT700 Open front and back
1000x400x300mm, Black

1x 110mm high glass, Front and 1x full high glass, Back
 with remote control and Bluetooth / App control and 6 step flame level incl. ECO
 Wall cut-out "1010x410x300mm"

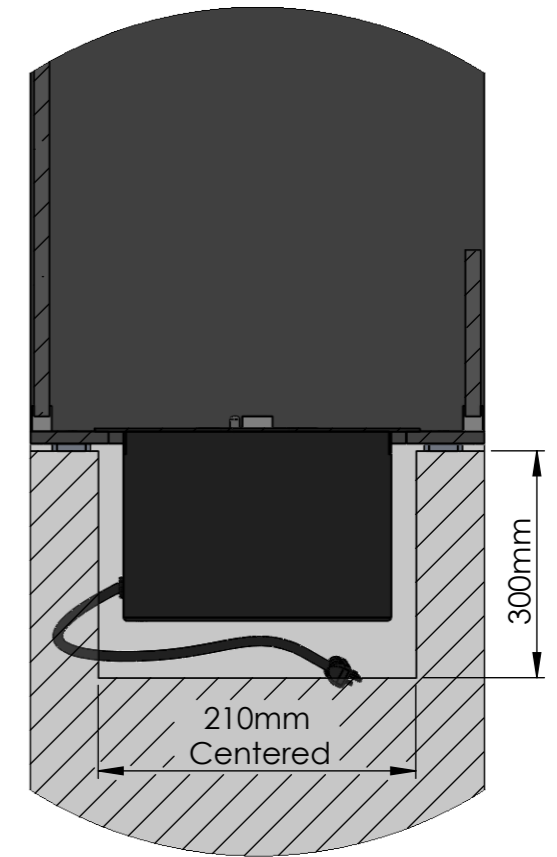
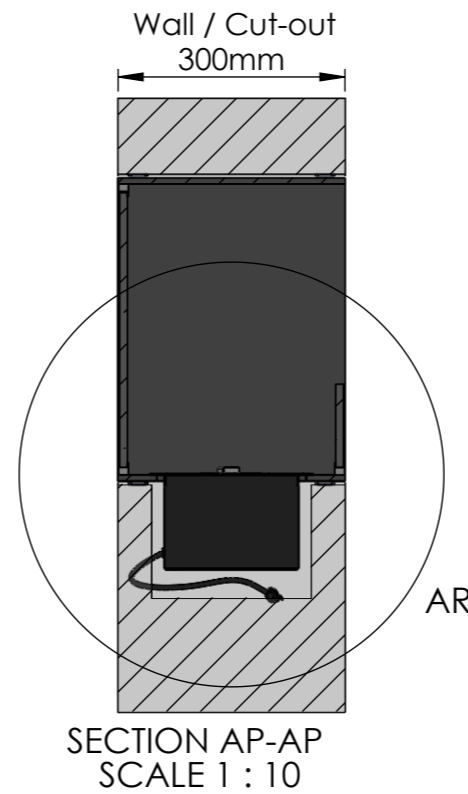


Dimensions are in millimeters		 DecoFlame ApS Vang Mark 2 9380 Vestbjerg TLF: +45 96 30 48 00 www.decoflame.com	SCALE: 1:10
REVISION: -	Date 25-02-2020		FORMAT: A3
Author: TTK		Order Number - Customer - Reference: PRINCIPLE Montreal Front and Back - conv. 1000x400x300mm - 1x DB920 - low high glass	Page 1 OF 4
Copyright of DecoFlame ApS Denmark, whose property this document remains. No part thereof may be disclosed, copied, duplicated or in any other way made use of, except with the approval of DecoFlame ApS.			Customer Approval Signature - Date

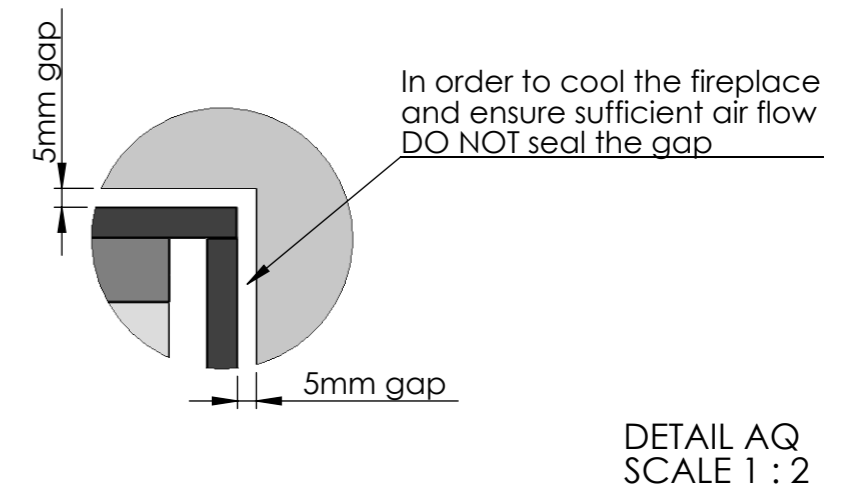
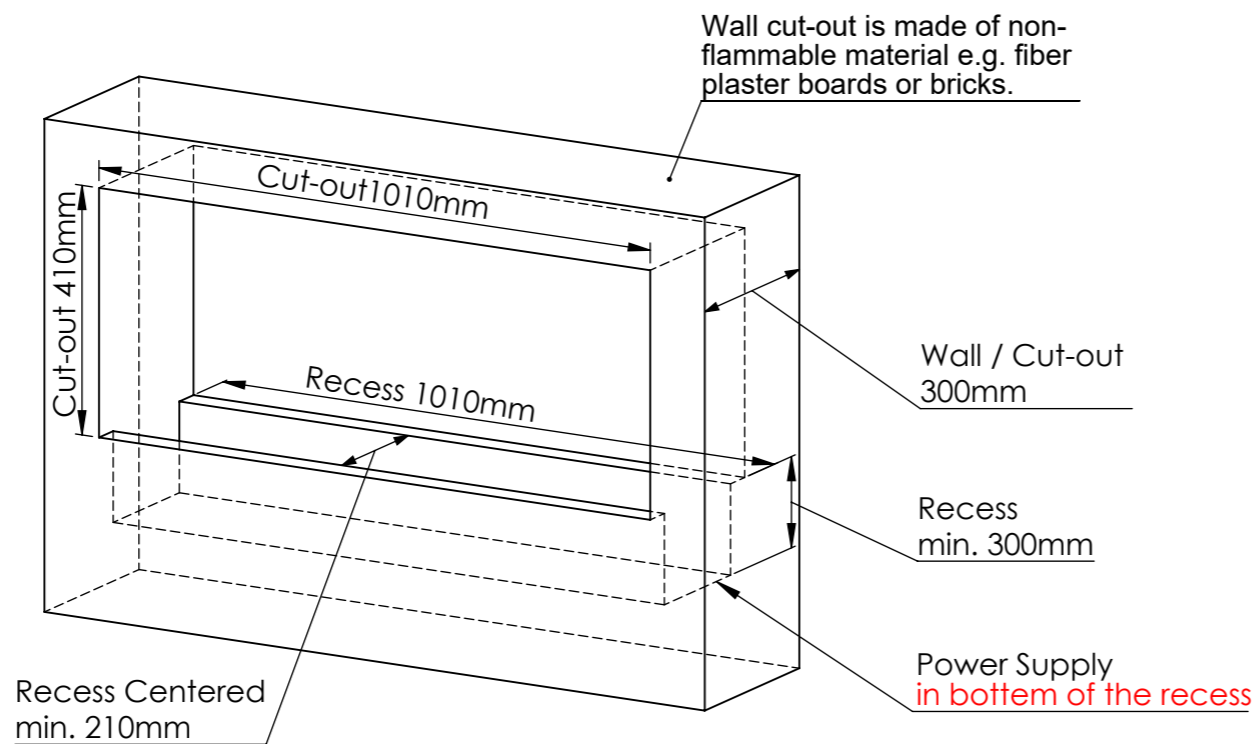
Montreal - Open to front and back




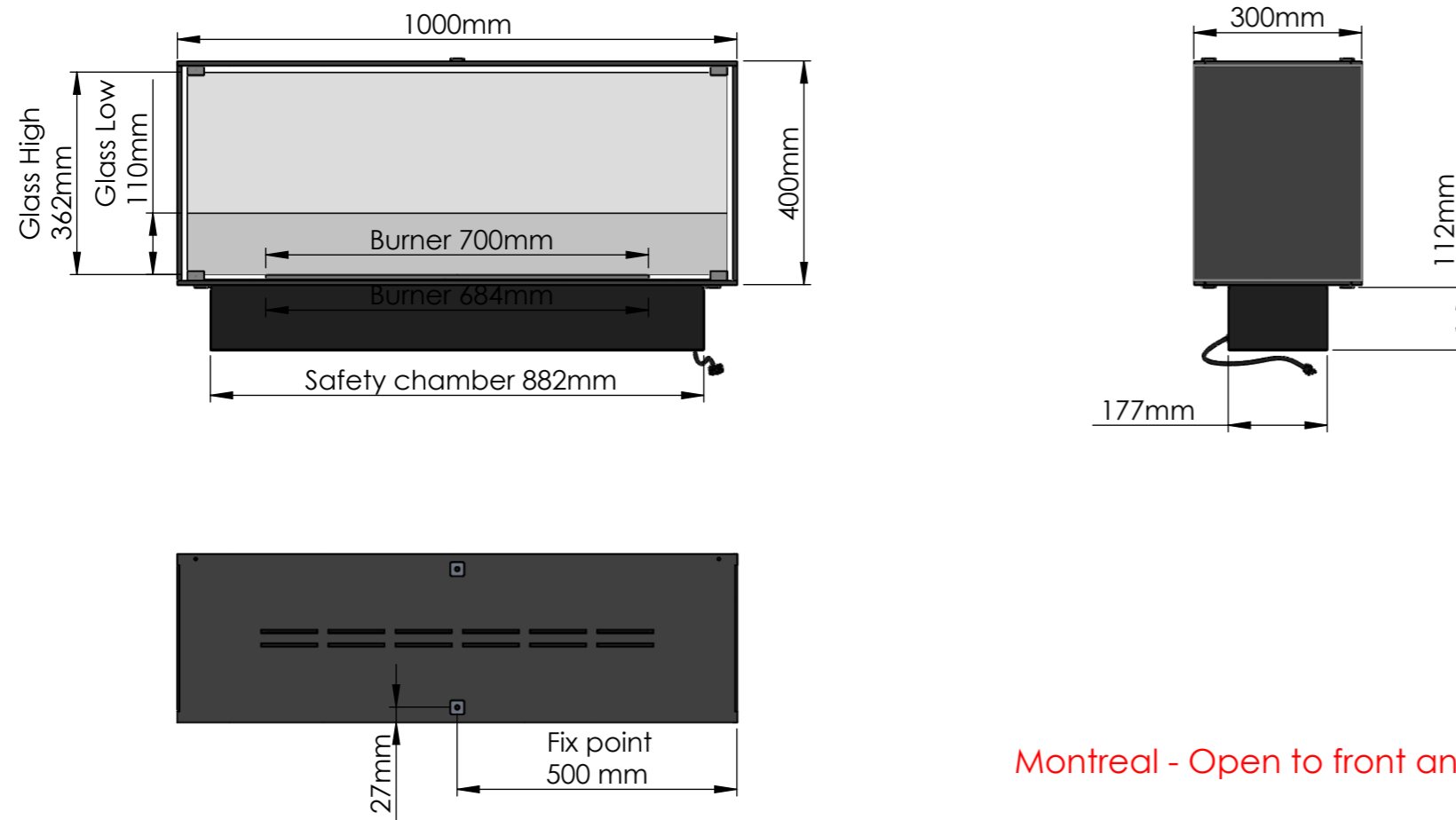
Electricity Supply
 The decoflame® e-Ribbon Fire needs to be connected to the mains. Make sure there is a power socket for 230V - 50 Hz installed inside the wall cut-out.



Wall cut-out dimensions



Dimensions are in millimeters		 Decoflame ApS Stenholm 14 DK-9400 Nørresundby TLF: +45 96 30 48 00 www.decoflame.com	SCALE: 1:12
MATERIAL:			FORMAT: A3
WEIGHT:		Page 2 OF 4	
REVISION:		Order Number - Customer - Reference: PRINCIPLE Montreal Front and Back - conv. 1000x400x300mm - 1x DB920 - low high glass	
Copyright of Decoflame ApS Denmark, whose property this document remains. No part thereof may be disclosed, copied, duplicated or in any other way made use of, except with the approval of Decoflame ApS Denmark.		Customer Approval Signature - Date	



Montreal - Open to front and back

General Installation Guidelines for "decoflame® made to measure fireplaces", open to two sides:

It is essential to maintain a 5mm gap all the way around the fireplace (Cut-out = Fireplace Dimensions + 10mm) This gap must not be sealed.

As the edges of the cut-out remain visible it is important that they are done to the highest possible finish. All four corners of the cut out must have exactly a 90 degree angle.

Plasterboard walls - Stud-walls

All surfaces inside the wall cut-out are to be covered with fibre plaster sheets or other non-flammable materials.

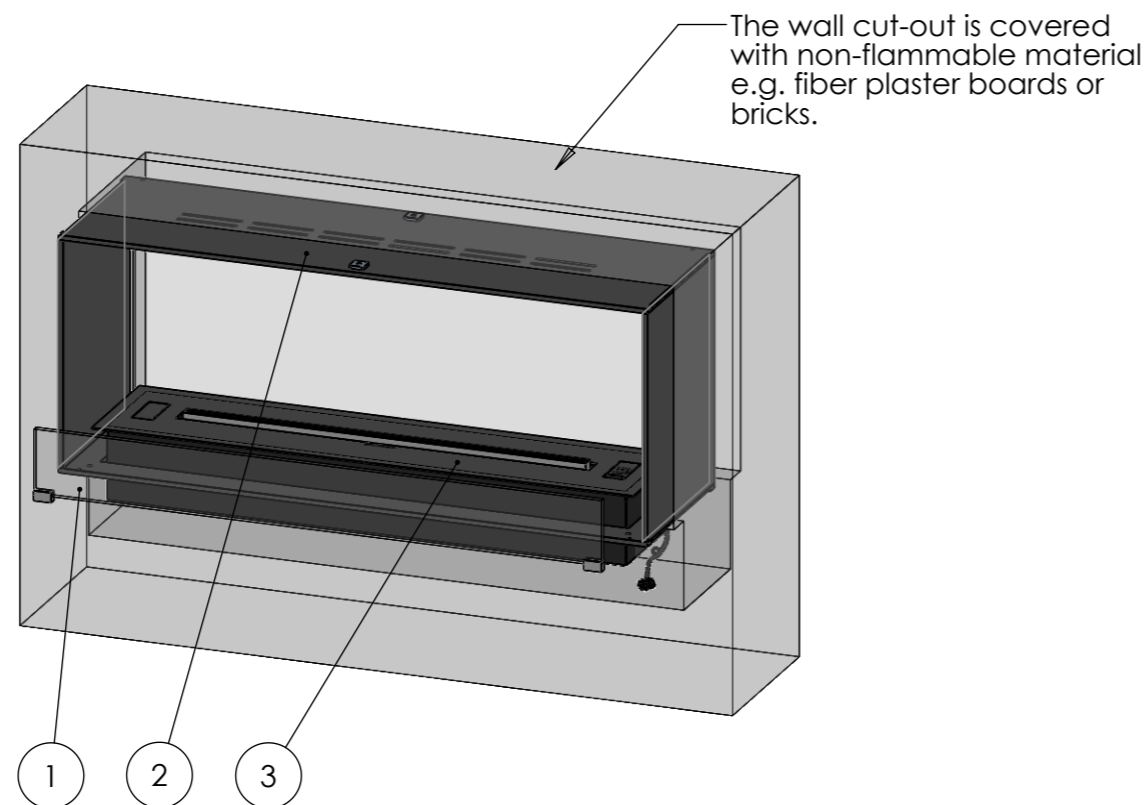
Stone/Brick walls

The cut-out is made according to the attached drawing.

Important


Make sure to create a closed cavity for the section below the base plate of the fire and above the roof of the fireplace.

Installation process



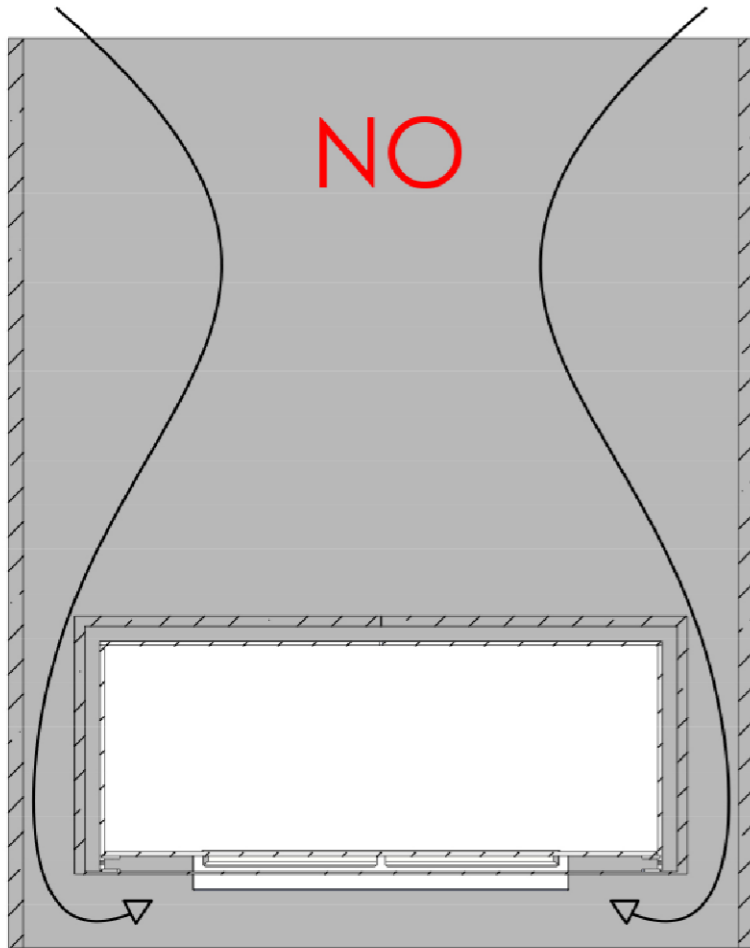
Exploded view showing the installation process.

- Carefully secure the glass with included finger screws.
Important: See drawing for Glass mounting by the customer
- The body of the fireplace is centered in the wall cut out.
Secured with the fasteners.
Depending on type the of wall use suited wall plugs.
- Connect to power socket and place the burner in the safety chamber.

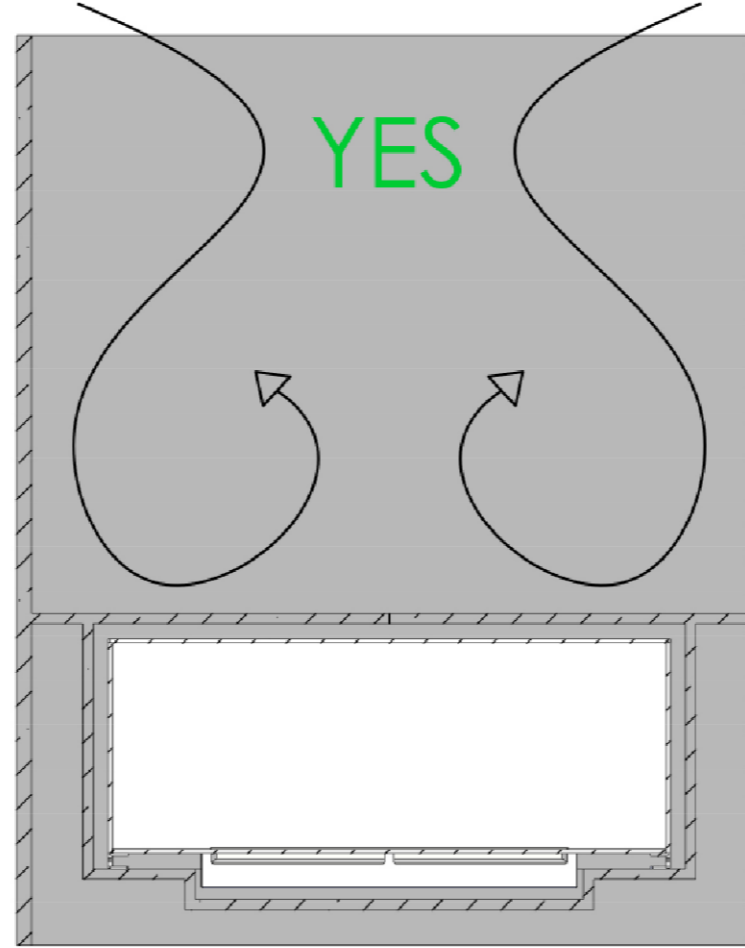
Dimensions are in millimeters	 DecoFlame ApS Stenholm 14 DK-9400 Nørresundby TLF: +45 96 30 48 00 www.decoflame.com	SCALE: 1:10
MATERIAL:		FORMAT: A3
WEIGHT:	Order Number - Customer - Reference:	Page 3 OF 4
REVISION:	PRINCIPLE Montreal Front and Back - conv. 1000x400x300mm - 1x DB920 - low high glass	
Copyright of DecoFlame ApS Denmark, whose property this document remains. No part thereof may be disclosed, copied, duplicated or in any other way made use of, except with the approval of DecoFlame ApS Denmark.	Customer Approval Signature - Date	

IMPORTANT INFORMATION

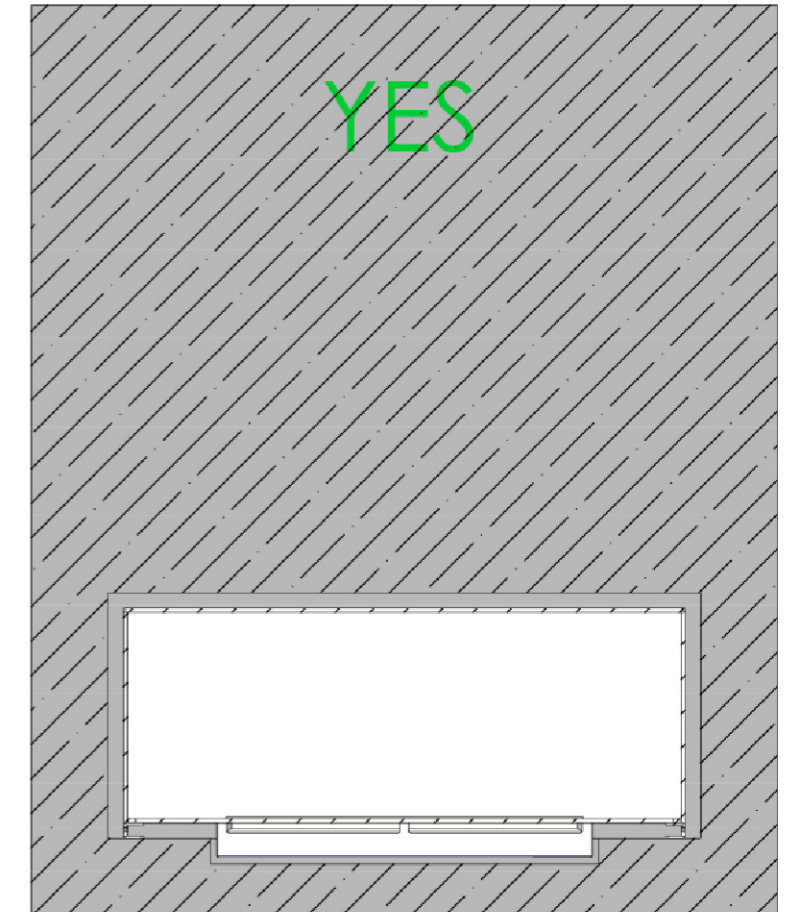
Particulars of the wall in which the fireplace shall be installed



DO NOT! install the fireplace in a wall construction which is open above and below the fireplace. The warm air will cause turbulences inside this hollow construction which will have a negative impact on the flames.



DO! install the fireplace in an open-wall construction, which is closed above and below the fireplace. Make sure to create a closed cavity for the section below the base plate of the fire.



DO! install the fireplace in a massive wall (made of bricks, stone or gas beton) using the wall cut-out dimensions mentioned on the previous page.

Dimensions are in millimeters		 DecoFlame ApS Vang Mark 2 9380 Vestbjerg TLF: +45 96 30 48 00 www.decoflame.com	SCALE: 1:10
REVISION: -	Date 25-02-2020		FORMAT: A3
Author: TTK		Order Number - Customer - Reference:	Page 4 OF 4
Copyright of DecoFlame ApS Denmark, whose property this document remains. No part thereof may be disclosed, copied, duplicated or in any other way made use of, except with the approval of DecoFlame ApS.		PRINCIPLE Montreal Front and Back - conv. 1000x400x300mm - 1x DB920 - low high glass	Customer Approval Signature - Date